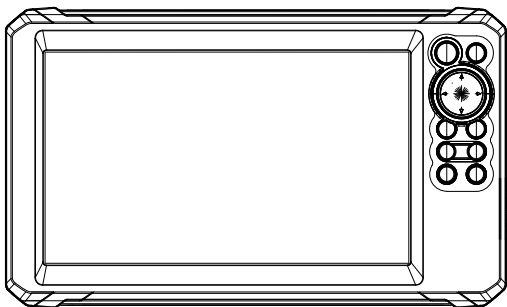
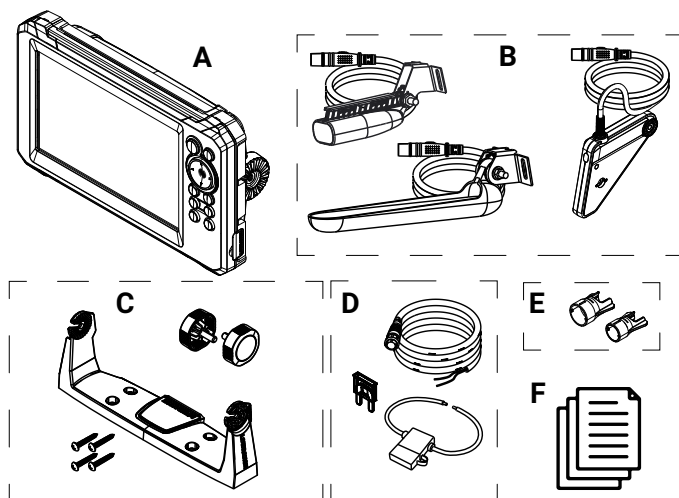


EAGLE® 7 & 9 EAGLE EYE™ 9 Installation Guide



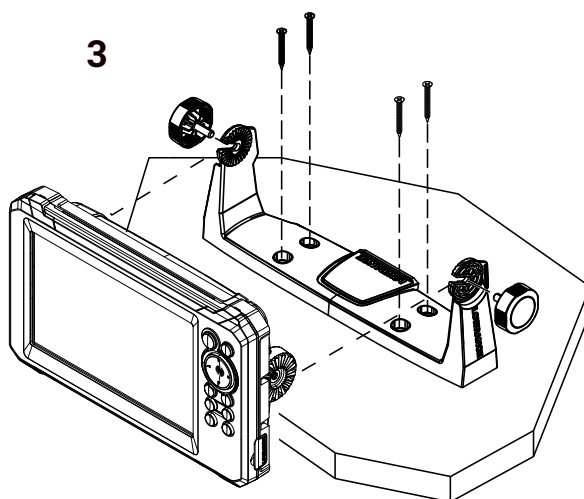
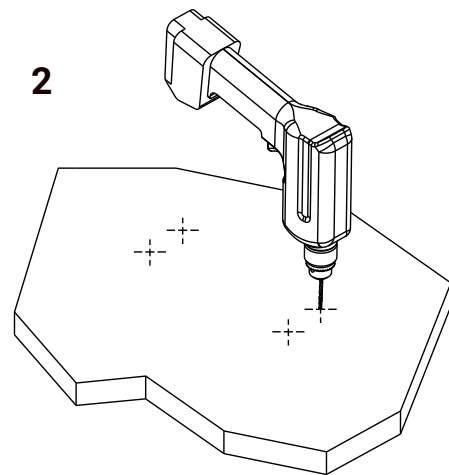
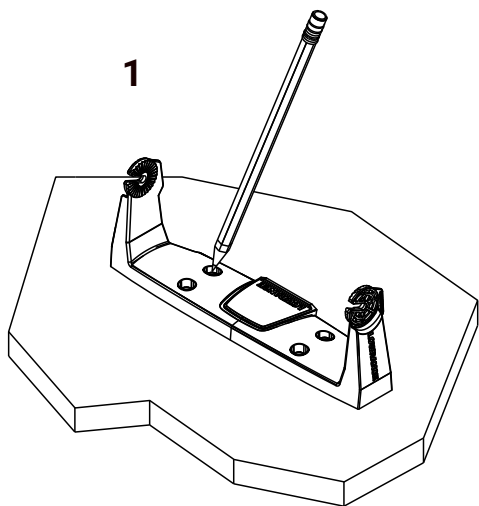
In the box



- A Eagle® 7, Eagle® 9, or Eagle Eye™ 9 display unit
- B SplitShot™, TripleShot, or Eagle Eye™ skimmer transducer
- C Gimbal kit
- D Power cable kit
- E Cable lock collars
- F Documentation pack

→ **Note:** The Eagle Eye™ 9 and Eagle Eye™ transducer are exclusively compatible.

Gimbal mounting

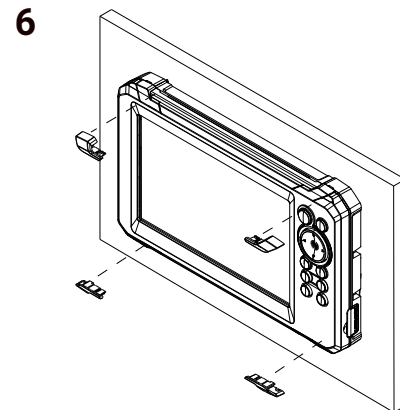
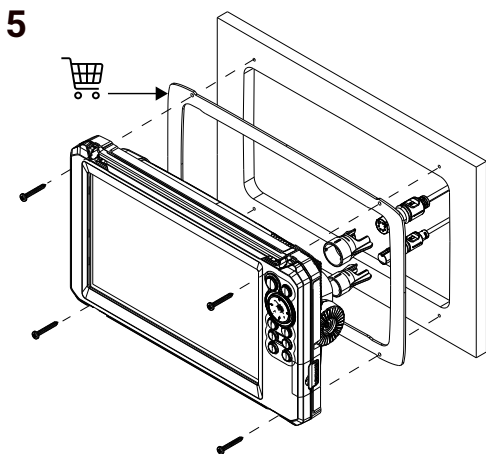
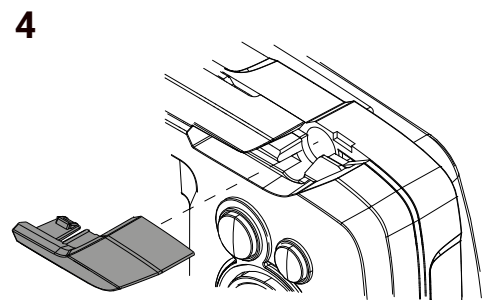
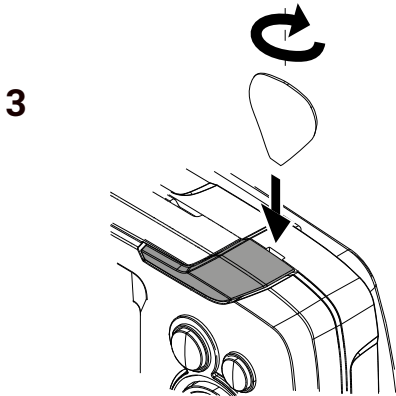
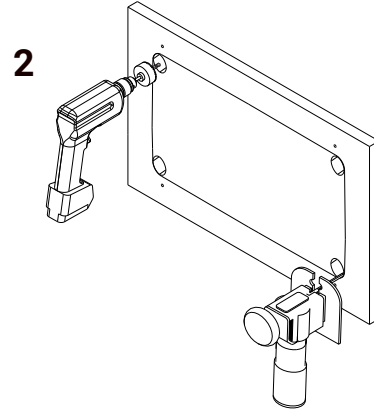
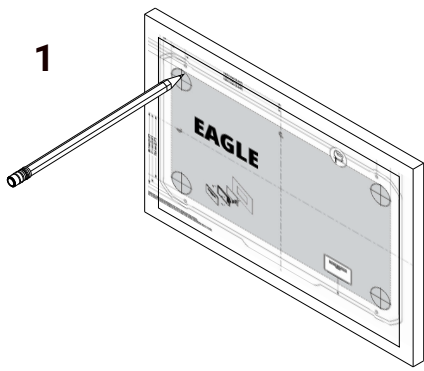


Recommended pilot holes

Soft/hard materials	Ø 3.8 – 4.8 mm (3/16")
---------------------	------------------------

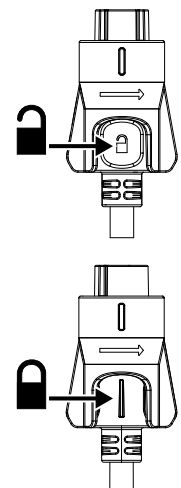
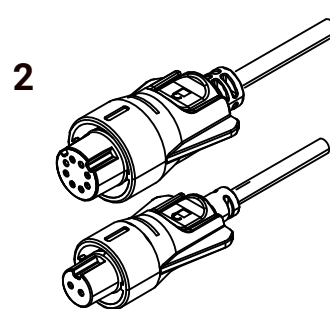
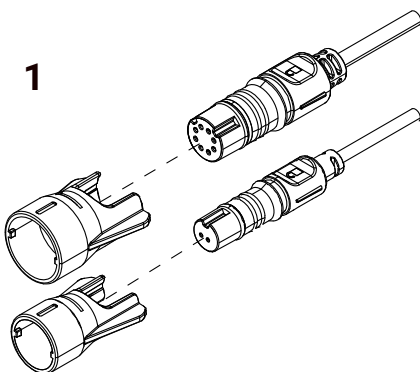
⚠ WARNING: Always wear appropriate eyewear, ear protection, and dust mask when drilling, cutting, or sanding. Remember to check the reverse side of all surfaces whenever drilling or cutting.

Panel mounting

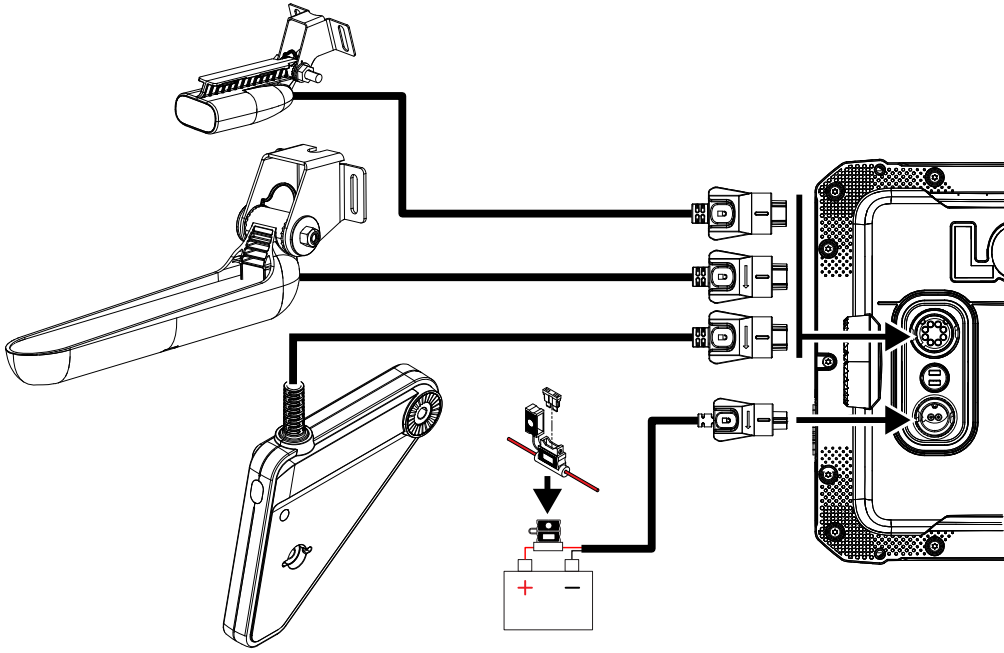


⚠ WARNING: Panel mounting may affect GPS performance.

Cable lock collar



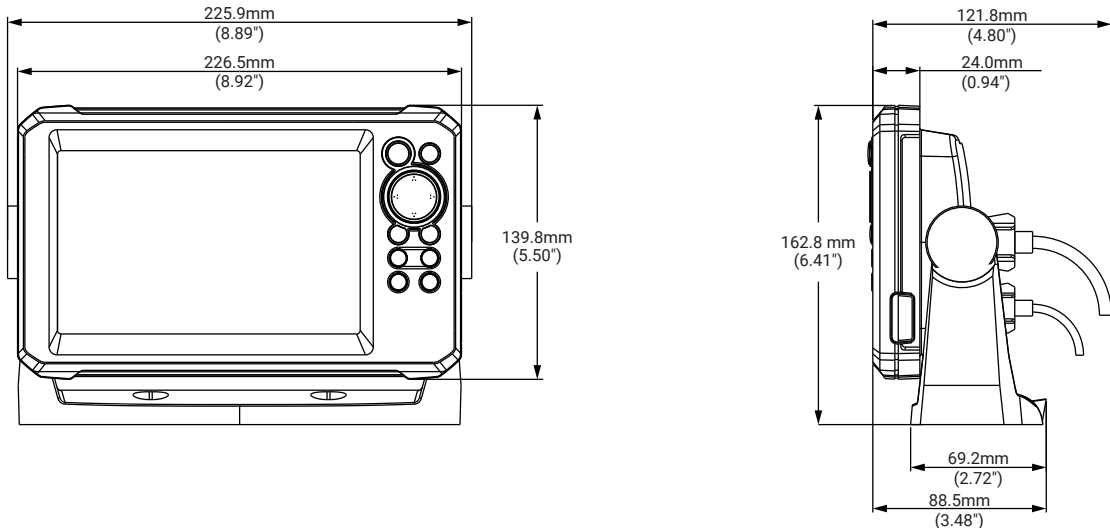
Wiring



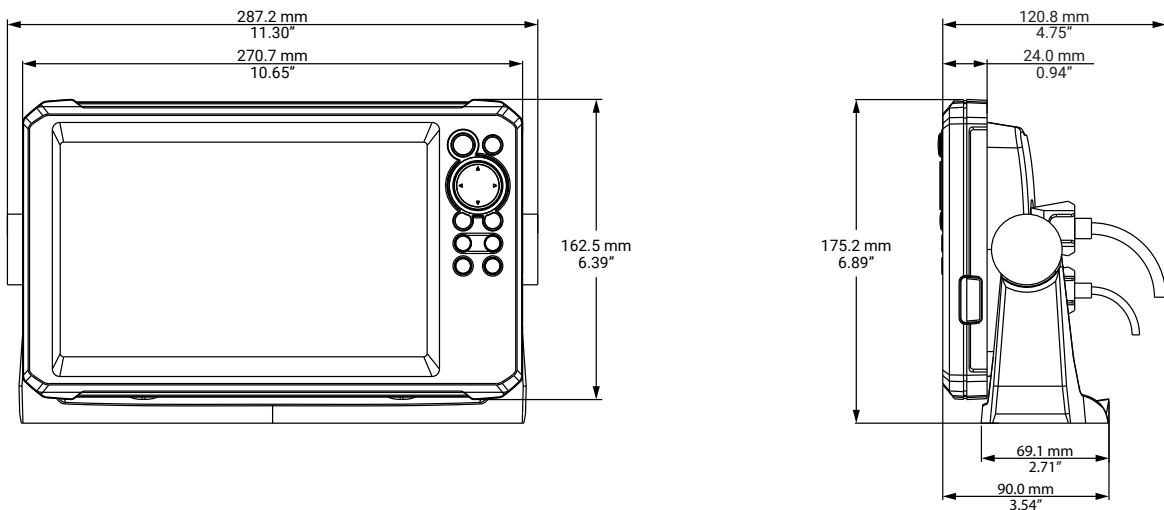
Connect a SplitShot™, TripleShot, or Eagle Eye™ transducer. Refer to included transducer installation information.

Dimensions

EAGLE® 7



EAGLE® 9 and EAGLE EYE™ 9




Technical specifications

	Eagle® 7	Eagle® 9	Eagle Eye™ 9
Display			
Resolution	800 x 480	1024 x 600	
Viewing angles in degrees	85° top/bottom/left/right		
Electrical			
Supply voltage	12 V DC (10.8 - 18 V DC)		
Power consumption (max)	6.6 W (550 mA at 12 V DC)	7.68 W (640 mA at 12 V DC)	10.08 (840mA at 12 V DC)
Recommended fuse rating	3 A		
Environmental			
Operating temperature range	-15°C to 55°C (5°F to 131°F)		
Storage temperature	-20°C to 60°C (4°F to 140°F)		
Waterproof rating	IPX7		
Interface/connectivity			
Sonar	1 port (SplitShot™ and TripleShot compatible)		1 port (Eagle Eye™ compatible)
Card reader	1 slot (microSD® 32 GB maximum)		
Physical			
Dimensions	Refer to dimensions section in this document		
Weight (display only)	0.67 kg (1.48 lb)	0.9 kg (1.98 lb)	1 kg (2.20 lb)
Mounting type	Panel mount or gimbal mount		

Accessories

The following accessories are sold separately and available from your local retailer.

		7"	9"
	Suncover (not shown)	000-16250-001	000-16251-001
Dash gasket kit	000-16254-001	000-16255-001	

Trademarks

®Reg. U.S. Pat. & Tm. Off, and ™ common law marks.

Visit www.navico.com/intellectual-property to review the global trademark rights and accreditations for Navico Group and other entities.

- Navico® is a trademark of Navico Group.
- Lowrance® is a trademark of Navico Group.
- EAGLE® is a trademark of Navico Group.
- EAGLE EYE™ is a trademark of Navico Group.
- SplitShot™ is a trademark of Navico Group.
- SD® and microSD® are trademarks of SD-3C, LLC.

